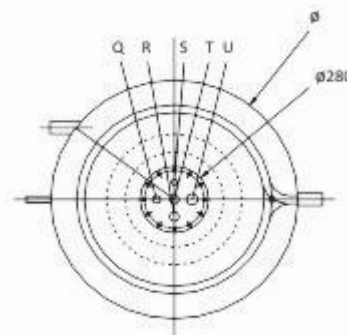
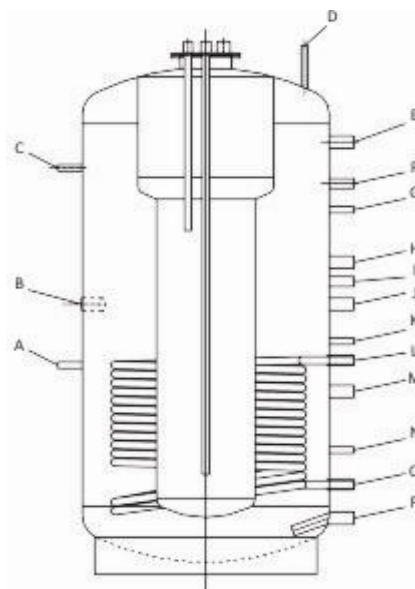
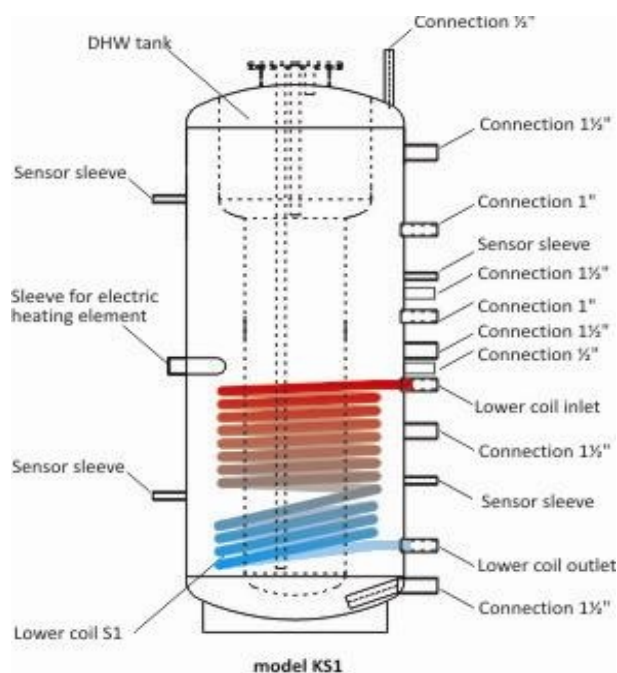


LISTA PRETURI Boilere Combi – Tanc in tanc

BOILERE VERTICALE Tanc in Tanc – o serpentina, izolatie 100mm

Cod	Descriere Capacitate litri	Dimensiuni mm*	Aria Serpentina	Pret unitar NET Euro
00009021101	KS1 600/150	1870 x ø850	1,7 m ²	1.169 €
00009021102	KS1 800/200	1910 x ø790	2,9 m ²	1.247 €
00009021103	KS1 1000/200	2090 x ø790	3,0 m ²	1.374 €
00009021104	KS1 1500/300	2220 x ø1200	3,4 m ²	1.813 €

* dimensiuni fara izolatie exterioara 100mm



Termeni comerciali:

Plata se face in LEI la cursul BNR din data facturarii.

Preturile nu includ montajul

Garantia echipamentelor este 2 ani, in conditiile supravegherii montajului punerii in functie si intretinerii efectuate de firma noastra.

Oferta este valabila pana la data 31 Decembrie 2010.

Livrarea se face la comanda, dupa achitarea unui avans de minim 30%, in termen maxim de 30 zile.

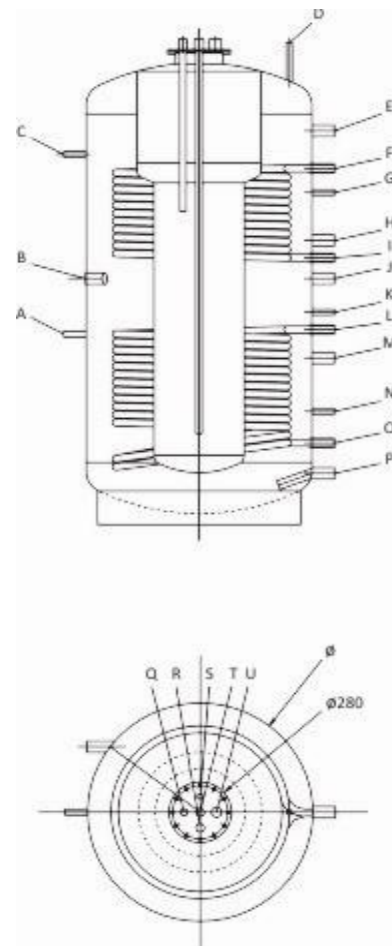
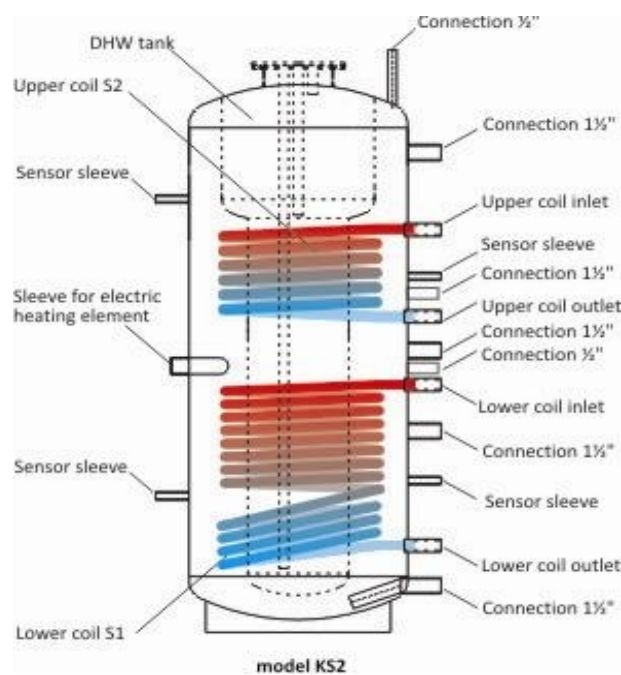
Technical specifications:

Model		KS 1 600/150	KS 1 800/200	KS 1 1000/200	KS 1 1500/300	
Volume	l	600	800	1000	1500	
Volume of buffer	l	450	600	800	1200	
Volume of boiler	l	150	200	200	300	
Diameter / w. insulation	mm	650/850	790/990	790/990	1000/1200	
Height	mm	1880	1910	2090	2220	
Mounting height	mm	1970	2020	2185	2375	
Lower coil S1 Heat exchanging surface	m ²	1.7	2.9	3.0	3.4	
Volume	l	10.5	17.9	18.5	21.0	
Operating pressure / Coil temperature	bar/°C	16/110	16/110	16/110	16/110	
Operating pressure / Buffer temperature	bar/°C	3/95	3/95	3/95	3/95	
Operating pressure / DHW tank temp.	bar/°C	10/95	10/95	10/95	10/95	
Recommendable size of boiler connected to the buffer	kW	10-17	15-27	18-33	27-50	
Sensor sleeve ½"	A	440	570	580	875	
Sleeve for heating element 1½"	B	860	920	1130	1130	
Sensor sleeve ½"	C	1400	1290	1500	1700	
Connection ½"	D	1880	1910	2090	2220	
Connection 1½"	E	1550	1573	1742	1808	
Connection 1"	F	1300	1390	1520	1635	
Sensor sleeve ½"	G	1150	1290	1450	1525	
Connection 1½"	H	-	-	-	1305	
Connection 1"	I	1020	1072	1172	1225	
Connection 1½"	J	910	980	1060	1130	
Connection ½"	K	-	-	-	975(½")	
Lower coil inlet 1"	L	800	820	880	895	
Connection 1½"	M	650	670	730	765	
Sensor sleeve ½"	N	490	465	495	520	
Lower Coil outlet 1"	O	280	310	310	375	
Connection 1½"	P	150	170	170	235	
DHW tahk	Recirculation ¾"	Q	on top flange	on top flange	on top flange	on top flange
	Hot water outlet 1"	R	on top flange	on top flange	on top flange	on top flange
	Connection ½"	S	on top flange	on top flange	on top flange	on top flange
	Cold water inlet 1"	T	on top flange	on top flange	on top flange	on top flange
	Anode protector 1¼"	U	on top flange	on top flange	on top flange	on top flange
Weight	kg	184	213	241	428	

BOILERE VERTICALE Tanc in Tanc – dubla serpentina, izolatie 100mm

Cod	Descriere Capacitate litri	Dimensiuni mm*	Aria Serpentina	Pret unitar NET Euro
00009031101	KS2 600/150	1870 x ø850	1,7 + 0,9 m ²	1.241 €
00009031102	KS2 800/200	1910 x ø790	2,9 + 1,6 m ²	1.306 €
00009031103	KS2 1000/200	2090 x ø790	3,0 + 1,8 m ²	1.463 €
00009031104	KS2 1500/300	2220 x ø1200	3,4 + 2,4 m ²	1.934 €

* dimensiuni fara izolatie exterioara 100mm



Termeni comerciali:

Plata se face in LEI la cursul BNR din data facturarii.

Preturile nu includ montajul

Garantia echipamentelor este 2 ani, in conditiile supravegherii montajului, punerii in functie si intretinerii efectuate de firma noastra.

Oferta este valabila pana la data 31 Decembrie 2010.

Livrarea se face la comanda, dupa achitarea unui avans de minim 30%, in termen maxim de 30 zile.

Technical specifications:

Model			KS 2 600/150	KS 2 800/200	KS 2 1000/200	KS 2 1500/300
	Volume	l	600	800	1000	1500
	Volume of buffer	l	450	600	800	1200
	Volume of boiler	l	150	200	200	300
	Diameter / w. insulation	mm	650/850	790/990	790/990	1000/1200
	Height	mm	1880	1910	2090	2220
	Mounting height	mm	1970	2020	2185	2375
	Lower coil S1 Heat exchanging surface Volume	m ² l	1.7 10.5	2.9 17.9	3.0 18.5	3.4 21.0
	Upper coil S2 Heat exchanging surface Volume	m ² l	1.0 6.2	1.8 11.1	2.0 12.3	2.4 14.8
	Operating pressure / Coils temperature	bar/°C	16/110	16/110	16/110	16/110
	Operating pressure / Buffer temperature	bar/°C	3/95	3/95	3/95	3/95
	Operating pressure / DHW tank temp.	bar/°C	10/95	10/95	10/95	10/95
	Recommendable size of boiler connected to the buffer	kW	10-17	15-27	18-33	27-50
	Sensor sleeve ½"	A	440	570	580	875
	Sleeve for heating element 1½"	B	860	920	1130	1130
	Sensor sleeve ½"	C	1400	1290	1500	1700
	Connection ½"	D	1880	1910	2090	2220
	Connection 1½"	E	1550	1573	1742	1808
	Upper coil inlet 1"	F	1300	1390	1520	1635
	Sensor sleeve ½"	G	1150	1290	1450	1525
	Connection 1½"	H	-	-	-	1305
	Upper coil outlet 1"	I	1020	1072	1172	1225
	Connection 1½"	J	910	980	1060	1130
	Connection ½"	K	-	-	-	975(½")
	Lower coil inlet 1"	L	800	820	880	895
	Connection 1½"	M	650	670	730	765
	Sensor sleeve ½"	N	490	465	495	520
	Lower Coil outlet 1"	O	280	310	310	375
	Connection 1½"	P	150	170	170	235
DHW tank	Recirculation ¾"	Q	on top flange	on top flange	on top flange	on top flange
	Hot water outlet 1"	R	on top flange	on top flange	on top flange	on top flange
	Connection ½"	S	on top flange	on top flange	on top flange	on top flange
	Cold water inlet 1"	T	on top flange	on top flange	on top flange	on top flange
	Anode protector 1¼"	U	on top flange	on top flange	on top flange	on top flange
	Weight	kg	195	237	267	460